

# LEX2601 Mobile Presentation Lectern



Main body and base are offered in black finish only



The **LEX2601** is a Mobile Presentation Lectern. The color palette, along with the sharp lines and clean surfaces, suggests a contemporary, eye-catching design that enhances the overall look of the podium and the speaker's presentation. It features a large work surface with a fixed shelf, an adjustable shelf, and wheels for easier maneuverability.

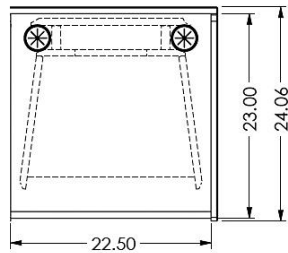
### Standard Features

- Large 22.5" W x 23" D work surface with grommets.
- Highly resistant thermowrap work surface & body finish.
- Wheels on base for easy maneuvering.
- 1x fixed and 1x adjustable shelf for document storage.
- 2 wheels for easier maneuverability and levelers on front.
- Ships assembled.

### Options

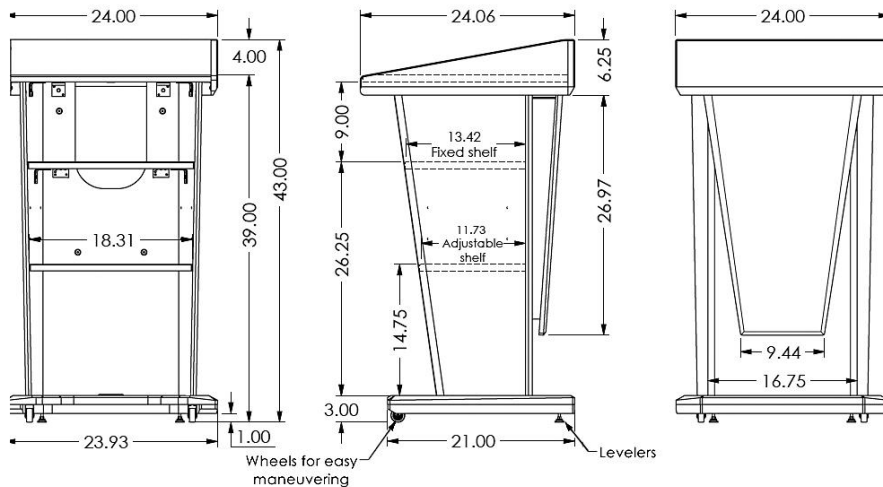
- **MIC-18** MX418C Shure Gooseneck microphone.
- **LIGHT-18** Littlite Gooseneck.
- **FM3** Count down timer/ clock.
- **PB** Six outlet power bar with 10 ft. Cord.
- **SF-PB3** Surface mounted 3-outlet 120V power bar.
- **PC-PATCH** 2x 110AC, RJ45, Phone, 2x USB.
- **CUB4** Black-B/Silver-S Power Panel.
- **CUB5** Round cable well (Black or Silver).
- **CUB22** 3 Module Power panel, Black. (2x AC, USB-A & USB-C (Fast charging)).
- **CUBM3** 3 Module Power & Data panel, Black. (2x AC, 1x Cat 6 port w/pigtail).
- **CUBM4** 4 Module Power & Data panel, Black. (2x AC, 1x Cat 6 port w/pigtail, 1x HDMI Port).
- **CHGQIB** Wireless Charging Station, Black (UL, CE, Qi certified).
- **CUSTOM CUTOUT** Cutouts for electronics or other items specified by the customer.

2x Wheels for easy maneuvering



### Specifications

**Model:** LEX2601  
**Width:** 24.0"  
**Depth:** 24.0"  
**Height:** 43.0"



### Finishes:



The information contained in this drawing is the sole property of Audio Visual Furniture International. Any reproduction in part or as a whole without the written permission of Audio Visual Furniture International is prohibited. We can build or modify stock configurations to suit customer specifications. Please contact us to discuss how this service can help meet your needs. Some quantity restrictions may apply. Specification subject to change without notice. Computers, cameras, monitors, etc. are shown to illustrate product usage and are not included unless otherwise noted.